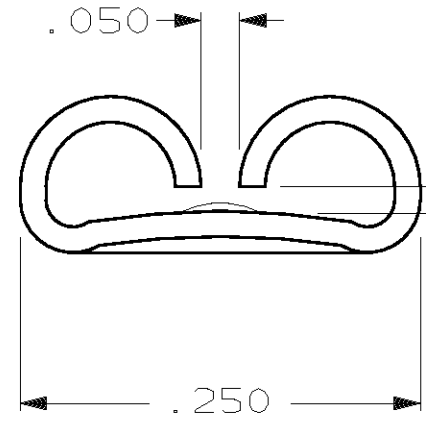
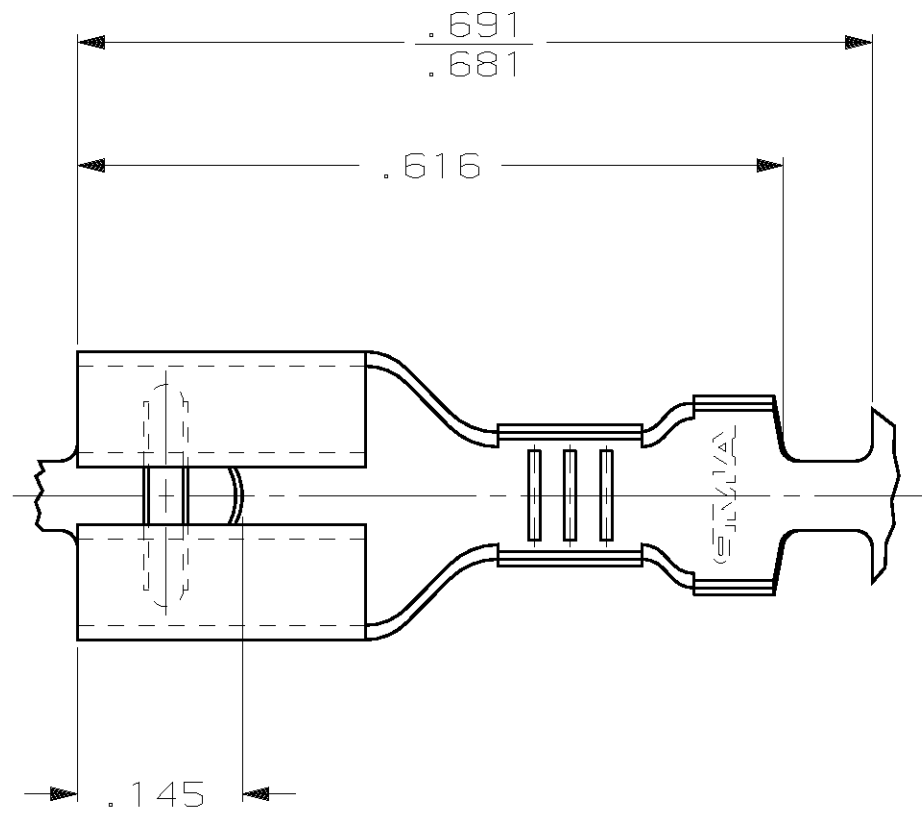


THIS DRAWING IS UNPUBLISHED. RELEASED FOR PUBLICATION, 19
 © COPYRIGHT 19 BY AMP INCORPORATED. ALL INTERNATIONAL RIGHTS RESERVED.

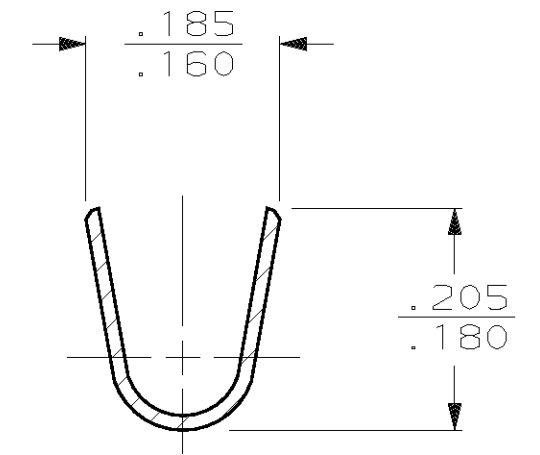
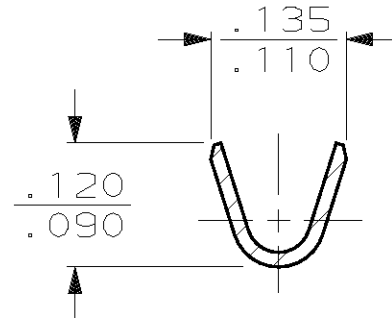
LOC	DIST	P	F	ZONE	LTR	DESCRIPTION	DATE	APPD
AF	50				S	REVISED PER OG1A-0096-98	6/10/98	JR/JG



△ TIN PL .000080 MIN THK

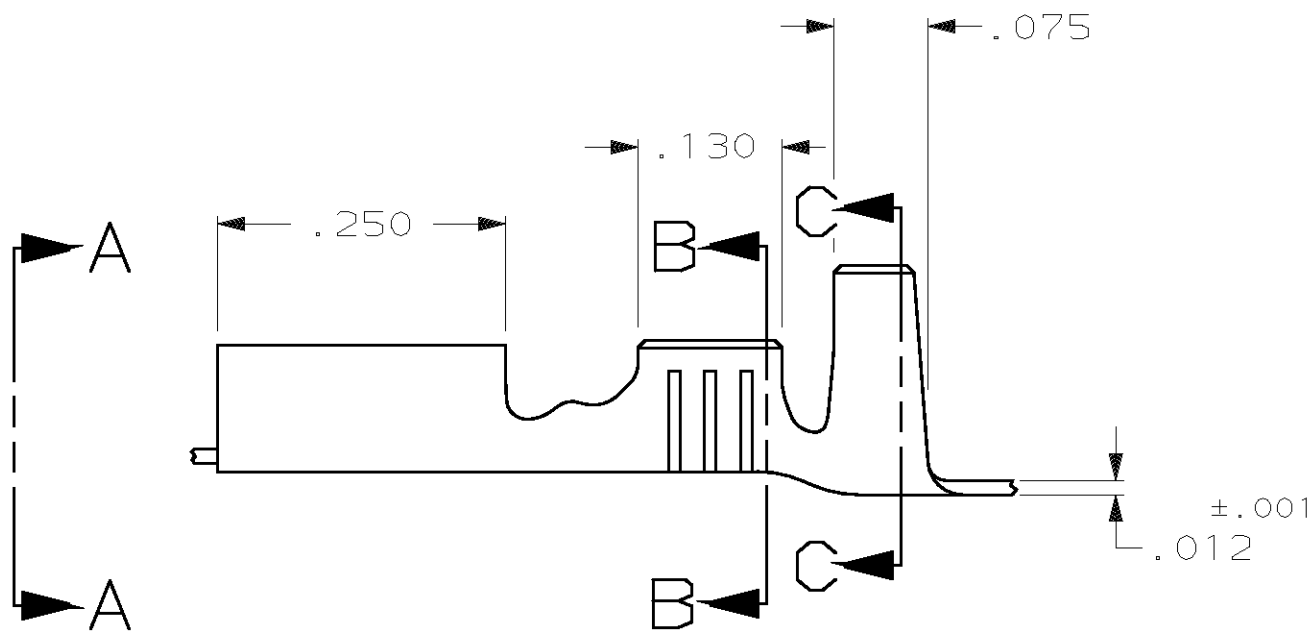
FITS '205' SERIES FASTON TAB

VIEW A-A



SECT. B-B

SECT. C-C



△	.020	22-18	.085 - .125	42710-2
NONE				42710-1
FINISH	MATING TAB THK ±.001	WIRE SIZE	INSULATION RANGE	PART NO
DO NOT SCALE PRINT. UNLESS SPECIFIED DIMENSIONS IN INCHES TOLERANCES ON: 2 PLC DEC ± - 3 PLC DEC ± .015 ANGLES ± -	DR 2/24/89 JR RUTH	AMP INCORPORATED Harrisburg, Pa. 17105		
MATERIAL	CHK 2/24/89 P FORTNEY	NAME RECEPTACLE, FASTON, .205 SERIES		
#4H BRASS	APPD 2/24/89 C MEYERS	SIZE	FSCM NO	DRAWING NO
FINISH	APPD 2/24/89 R KUZO	B	00779	42710
SEE TABLE	PRODUCT SPEC	SCALE	6:1	SHEET 1 OF 1
	APPLICATION SPEC			
	WEIGHT -			